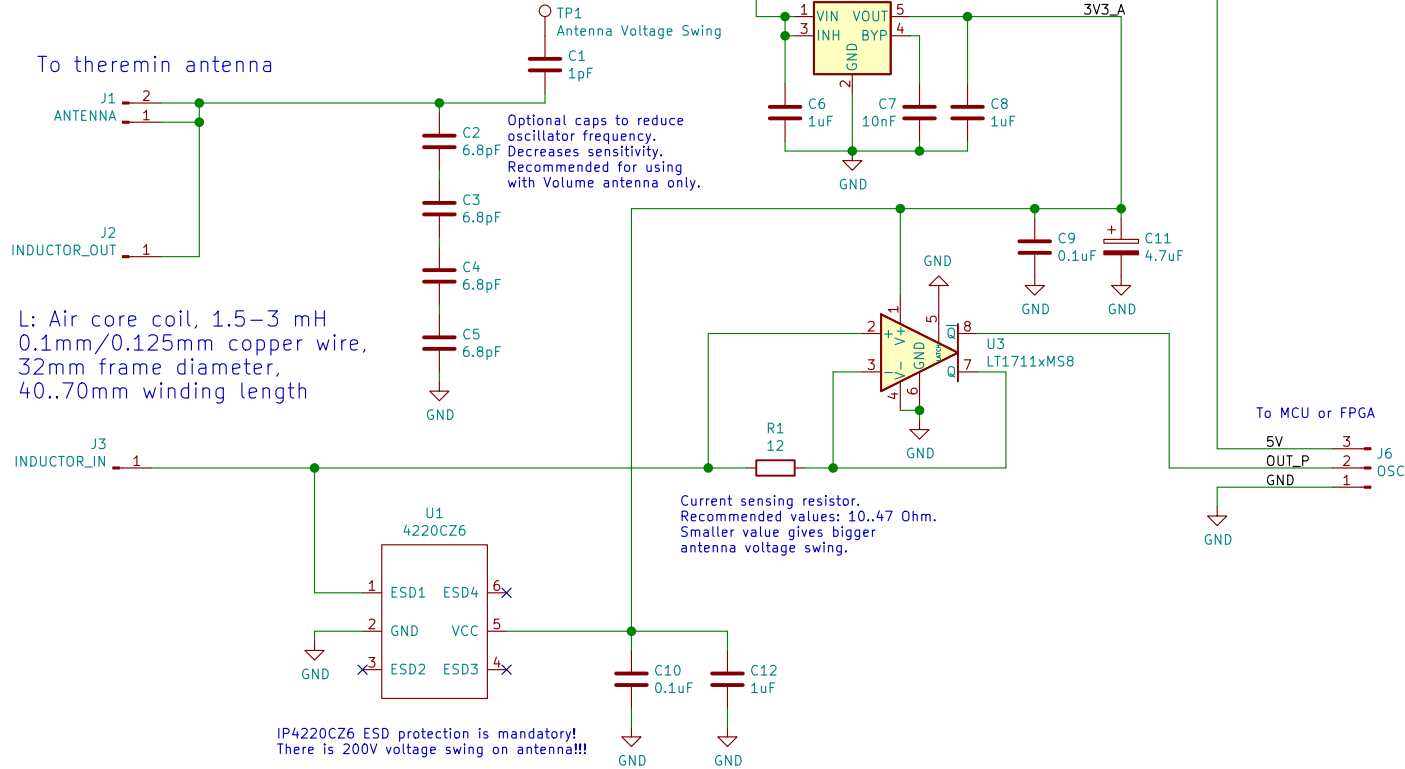


Theremin oscillator
 digital output square 3.3V 700..2000KHz
 single ended LVTTTL or differential LVDS
 Power input: +3.6 .. 6V, 50mA

Test point for checking of antenna voltage swing.
 Decoupled by 1pF cap.



(c) Vadim Lopatin 2020
 Teensy 4 / FPGA Theremin Projects

Sheet: /
 File: current_sensing_single_ended_oscillator.sch

Title: Theremin Oscillator

Size: A4 Date: 2020-10-23
 KiCad E.D.A. kicad (5.1.10)-1

Rev: v1.1
 Id: 1/1