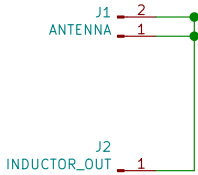


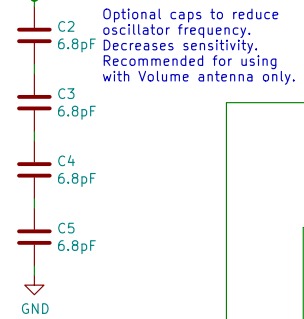
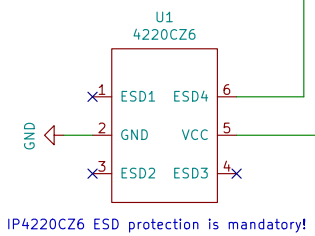
Theremin oscillator rev 1.3
 digital output square 3.3V 700..2000KHz
 differential or single ended
 Power input: +3.6 .. 6V, 50mA

Test point for checking of
 antenna voltage swing.
 Decoupled by 1pF cap.

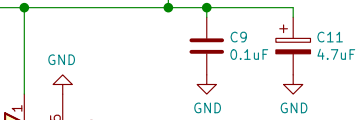
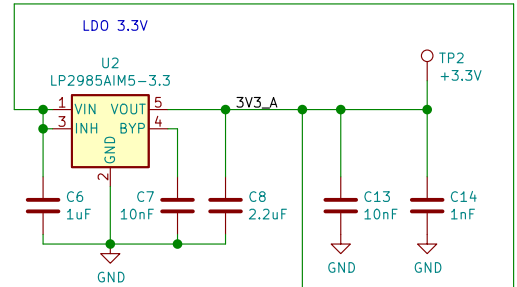
To theremin antenna



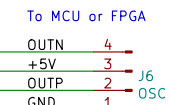
L: Air core coil, 1.5–3 mH
 0.1mm/0.125mm copper wire,
 32mm frame diameter,
 40..70mm winding length



Current sensing resistor.
 Recommended values: 10..47 Ohm.
 Smaller value gives bigger
 antenna voltage swing.



Use R2, R3, R4, R5
 to match line impedance
 and decrease ringing.
 R3, R4 are not needed
 for single ended out



(c) Vadim Lopatin 2020
 For Digital Theremin Project

Sheet: /
 File: current_sensing_single_ended_oscillator_compact.sch

Title: Theremin Oscillator

Size: A4	Date: 2020-10-30	Rev: v1.3
KiCad E.D.A. kicad (5.1.10)-1		Id: 1/1