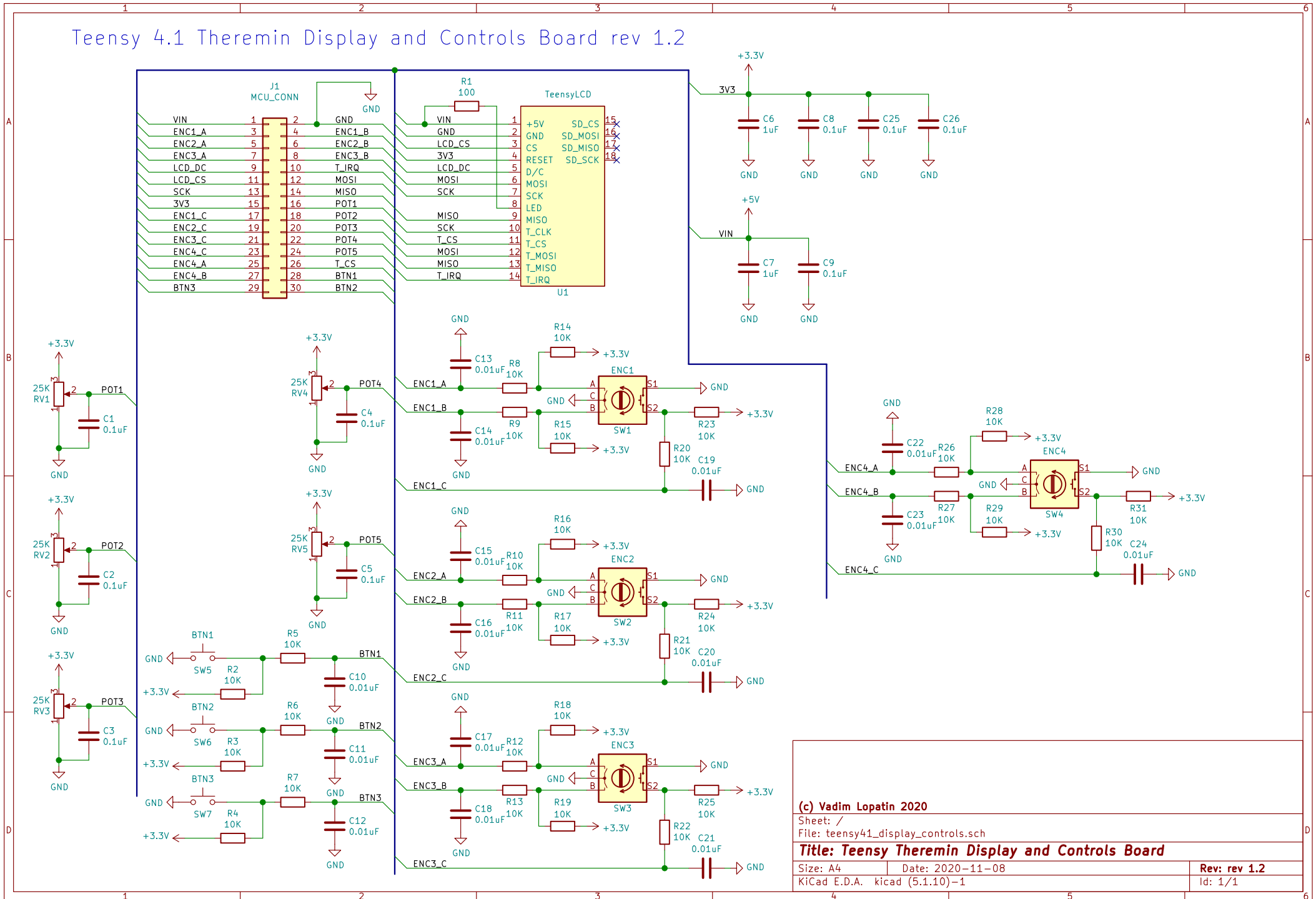


# Teensy 4.1 Theremin Display and Controls Board rev 1.2



(c) Vadim Lopatin 2020

Sheet: /  
File: teensy41\_display\_controls.sch

**Title: Teensy Theremin Display and Controls Board**

Size: A4	Date: 2020-11-08	Rev: rev 1.2
KiCad E.D.A. kicad (5.1.10)-1		Id: 1/1